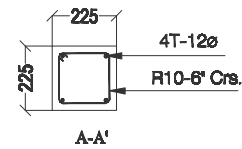
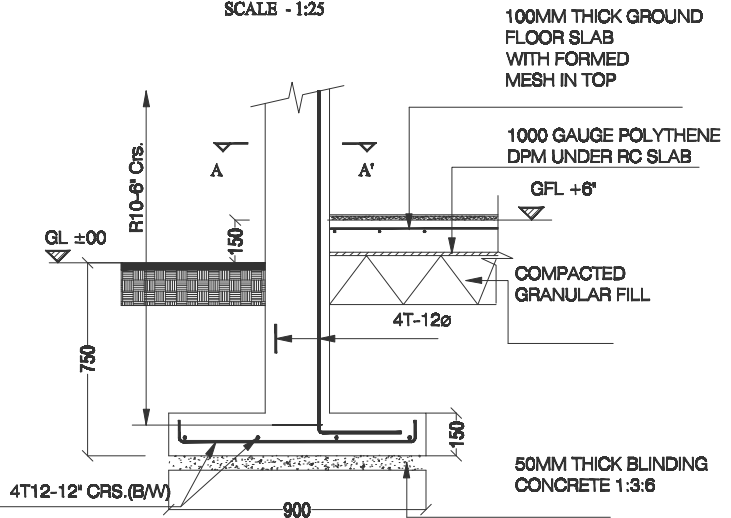


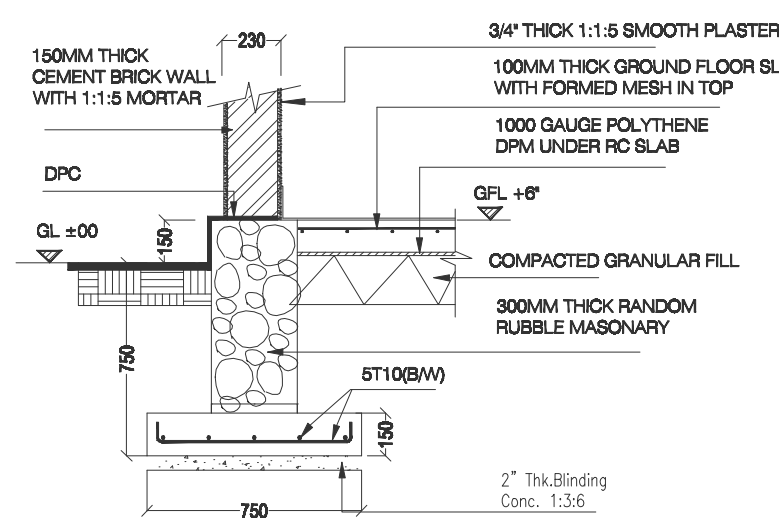
ELEVATION - B



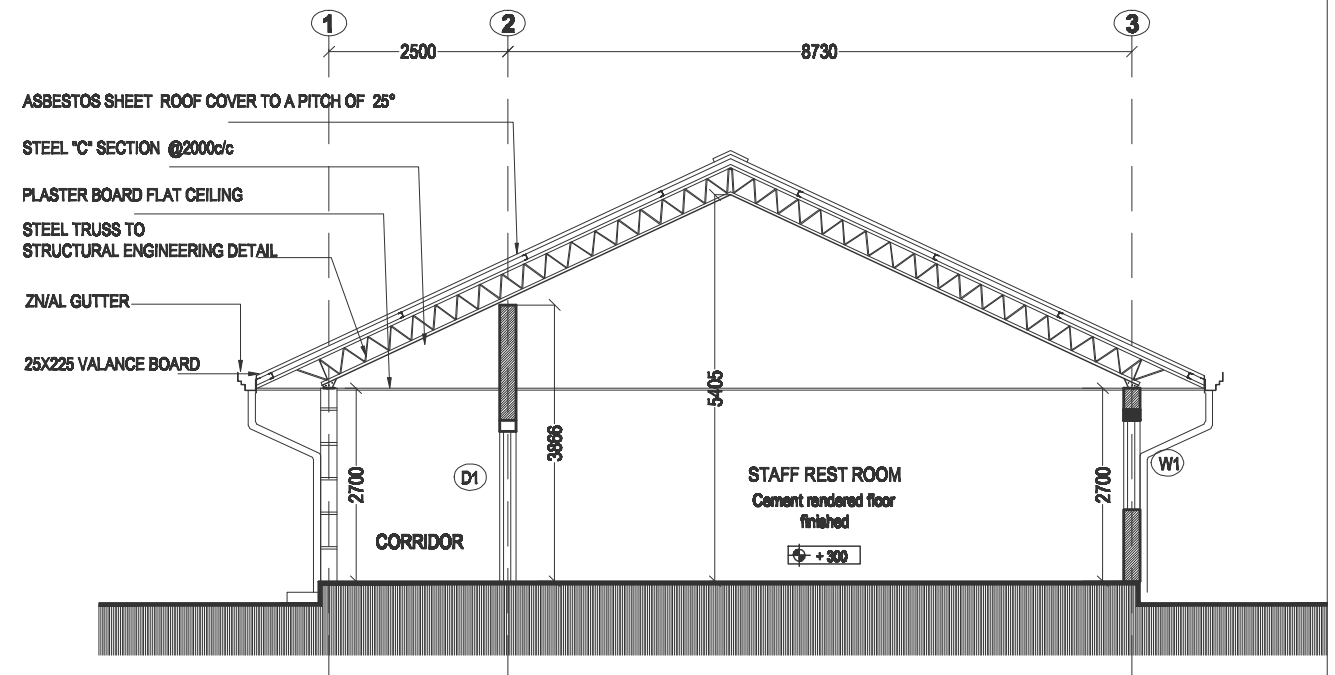
SCALE - 1:25



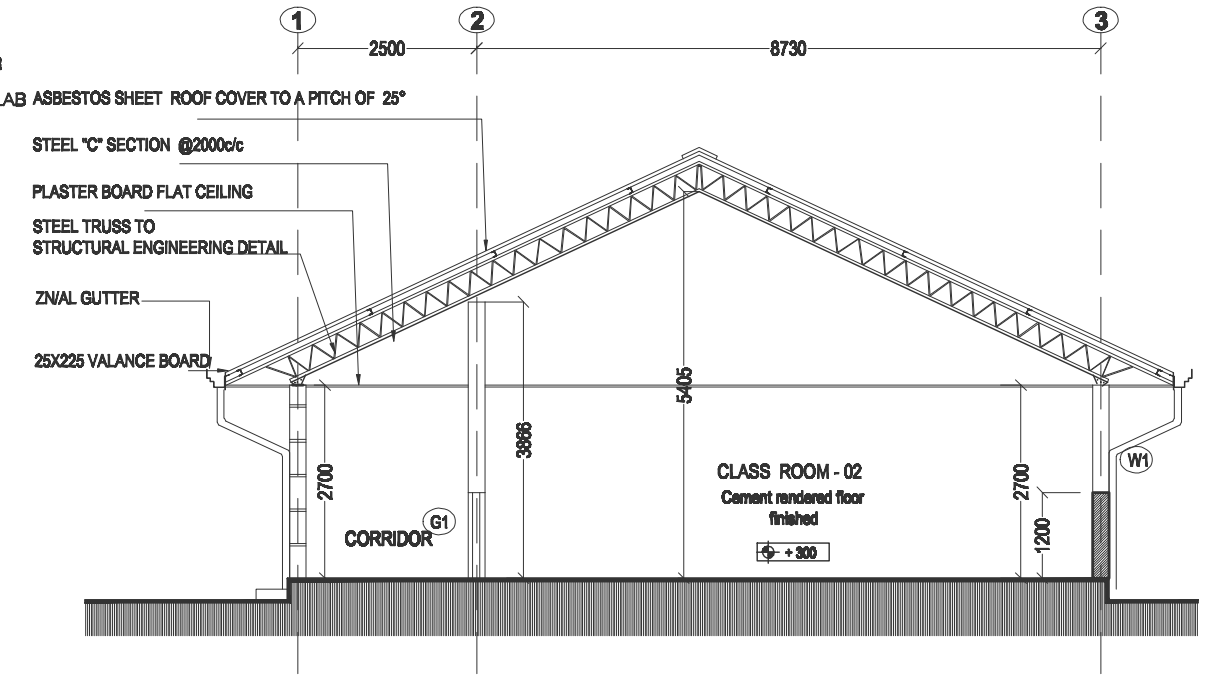
FOUNDATION DETAIL OF COLUMNS
SCALE - 1:25



FOUNDATION DETAIL OF 6" THICK MASONARY BERICK WALL
SCALE - 1:25



SECTION A-A



SECTION B-B

REV:	DETAILS:	ISSUED ON:	PROJECT	PROJECT NO:	CONSULTANT:
-	ARCHITECT D. WIJERANGANA B.Sc(BE), M.Sc(Arch), AIA SL.	05.07.2012	PROPOSED CLASS ROOM FOR JINARAJA COLLEGE - GAMPOLA	14/2012	
		SCALE -NTS	DRAWING TITLE: ARCHITECTURAL: SECTIONS	DWG NO: RG/AR/JK/CR/SE/1	
				DATE: 05.07. 2012	